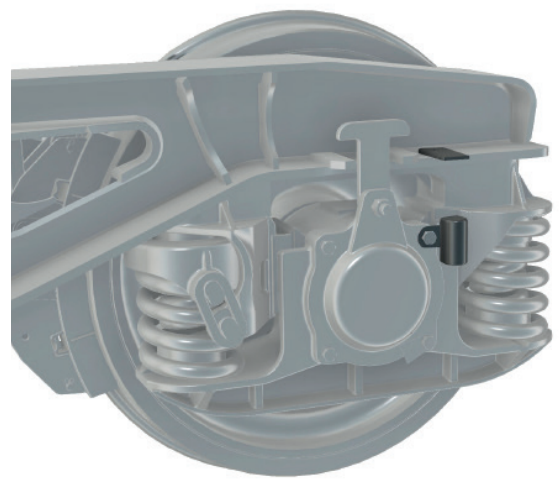


BT Sensor RAIL BS 02 02

WIRELESS SENSOR FOR MONITORING RAIL CAR LOAD AND BEARING CONDITION. IT MEASURES AND SENDS VALUES AT PRESET INTERVAL TO THE GPS MONITORING DEVICE.

USAGE AND CHARACTERISTICS

- » Multifunctional wireless rail car sensor
- » Rail car load sensor
- » Bearing temperature sensor
- » Magnetic sensor
- » Measurement of wagon loading/unloading



TECHNICAL PARAMETERS

ANTENNA	RF	Internal	
BATTERIES	Type and capacity	LiSoC - primary	19 Ah
	Battery life	Minimum 10 years non-replaceable	
SENSORS	Magnetic sensor - Load sensor	5 mT, +/- 2 %	
		Measures distance from 30 to 150 mm	
	Temperature sensor	-35 °C up to 85 °C, +/- 0,5 °C	
RF SENSOR INTERFACE	Frequency	2,4 GHz	
	Type	Bluetooth, BT 5.0	
	Range	Up to 50 m	
	Data sending period - default	10 s	
DIMENSIONS	Plastic box (without metal holder)	45 x 85 x 40 mm	
TEMPERATURE RANGE		-35 °C up to 85 °C	
PROTECTION CLASS	IP68	Waterproof	
WEIGHT	With batteries (without metal holder)	100 g	